

FINAL BEST CO., LTD.

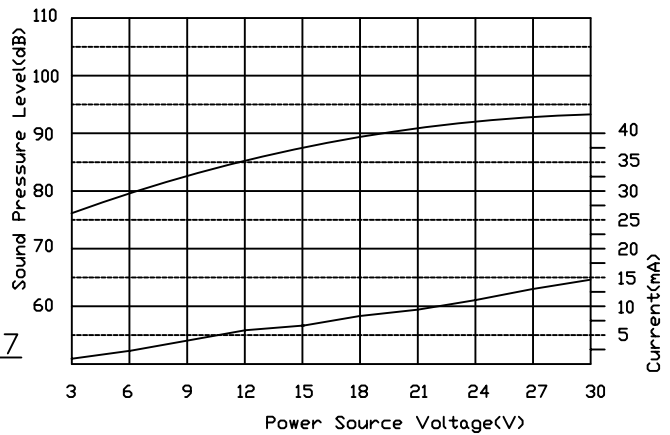
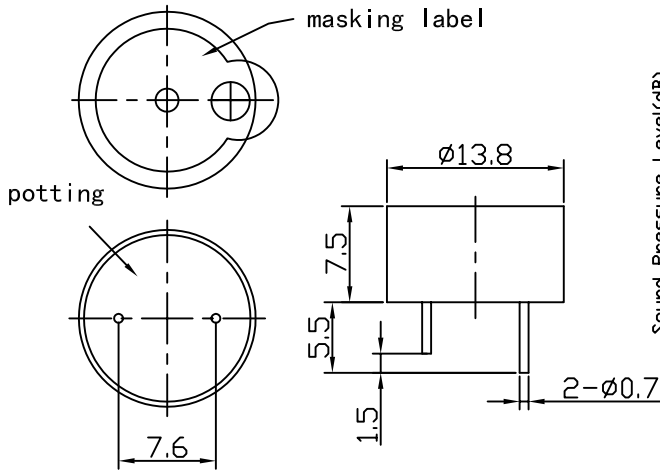
SPECIFICATION SHEET

ELECTRICAL SPECIFICATIONS:

Type	Unit	FBPB1478
Rated voltage	V	12
Operating Voltage	V	3 - 16
*Rated Current (MAX)	mA	7
* Min Sound Output at 10 cm	dB	80
*Resonant Frequency	Hz	4000 ± 500
Tone Nature	single	
Lead Wire/Lead pin material	Red copper	
Operating Temperature	° C	-20 - +70
Storage Temperature	° C	-30 - +80
Weight	g	1

*Value Applying at Rated Voltage(DC).

DIMENSIONS UNIT:mm Tolerance:±0.5mm



HOUSING MATERIAL:NORYL WAVE SOLDER AND WASH ALLOWED.

<i>FBE</i>		FBPB1478		Page 1/1
	NAME	DATE		
Drawing by				FINAL BEST CO., LTD.
Checked by				
Approved by				